



CLARITY

CLEVER CONNECTIONS

HIKVISION

DS-K1T671TM-3XF Access Control Face Recognition Terminal

The revolutionary DS-K1T671TM-3XF access control face recognition terminal integrates rapid thermal imaging-based temperature screening functionality. It quickly measures an individual's skin-surface temperature, creating an alert if that falls outside of a pre-configured range. Ideal for use in applications including workplaces, medical facilities, train stations and airports, schools, residential settings and more.



Available Model

DS-K1T671TM-3XF

Features

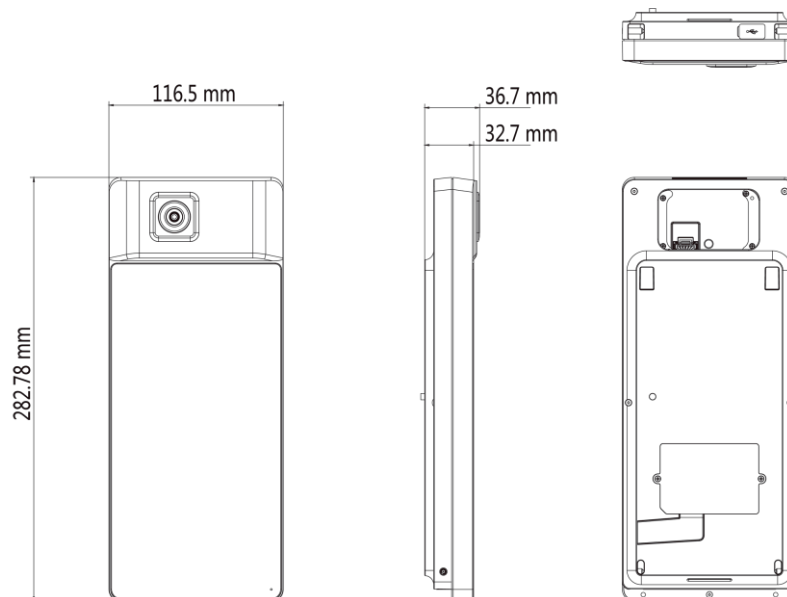
- Supports Vanadium Oxide uncooled sensor to measure target's temperature
- Temperature measurement range: 30 °C to 45 °C (86 °F to 113 °F), accuracy: ± 0.5 °C without black body calibration
- Recognition distance: 0.5 to 1.5 m
- Fast temperature measurement mode: Detects face and takes skin-surface temperature without identity authentication.
- Multiple authentication modes are available: card and temperature, face and temperature, card and face and temperature, etc.
- Face mask alert (warning)
If the presented face is not wearing a mask, the device will sound a voice reminder, but is configured so that authentication or attendance is valid.
- Forced mask alert (denial)
If the presented face is not wearing a mask, the device will sound a voice reminder, and is configured so that authentication or attendance is denied.
- Displays temperature measurement results on the authentication page
- Triggers voice prompt when detecting abnormal temperature
- Configurable door status (open/close) when detecting abnormal temperature
- Transmits online and offline temperature information to the client software via TCP/IP communication and saves data on the client software
- Face recognition duration < 0.2 s/user; face recognition accuracy rate $\geq 99\%$
- 50,000 face capacity, 50,000 card capacity, and 100,000 event capacity
- Suggested height for face recognition: between 1.4 m and 1.9 m
- Supports 6 attendance status, including check in, check out, break in, break out, overtime in, overtime out

- Watchdog design and tamper function
- Audio prompt for authentication result
- NTP, manual time synchronization, and auto synchronization
- Connects to external access controller or Wiegand card reader via Wiegand protocol
- Connects to secure door control unit via RS-485 protocol to avoid the door opening when the terminal is destroyed
- Imports and exports data to the device from the client software

*Biometric recognition products are not 100% applicable to anti -spoofing environments. If you require a higher security level, use multiple authentication modes.

* In order to obtain accurate temperatures, after the device is powered on, wait for 90 minutes to allow device to warm up.

Dimensions



Accessory

DS-KAB671-B

